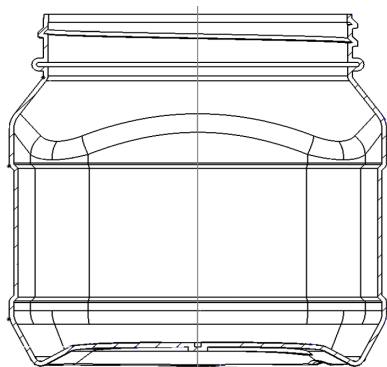


Technical Data Sheet

Standard 370ml 70mm



Dimensions

Shape:	square
Volume under lid:	
Volume brimfull:	370ml
External diameter top:	70mm
External diameter bottom:	81.50mm
Height:	82.56mm
Weight:	30gr

Closure system

Closure type:	twist-off
Closure diameter:	70mm
Tamper Evidence type:	foil

Raw Material

Raw material options:
Masterbach colours:
Approvals:

PP/EVOH/PP
on request
All products comply the FDA and European legislation in force relating to materials and articles intended to come into contact with food.

Packing

On pallet 120x100:
Number per layer
Height incl. Pallet:
Pallet per Truck:

1.45m
52 pal / 60pal

Performance

Hot filling:

Shelf life:

The material chosen has a very good heat resistance and the packaging is suitable for hot filling, sterilisation and pasteurisation. Customer should make internal trial.

The compliance of the product to the technical specifications in this data sheet is guaranteed for 12 months after the date of the delivery subject to suitable storage.